

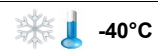
GWY...

zone 1

zone 21



Ex e IIC Gb II2G



zone 2

zone 22

Ex tb IIIC Db II2D



MORSETTIERE

T6

T5

T4

Ex ia IIC Gb II2G

TERMINAL BOX

T 80°C

T 95°C

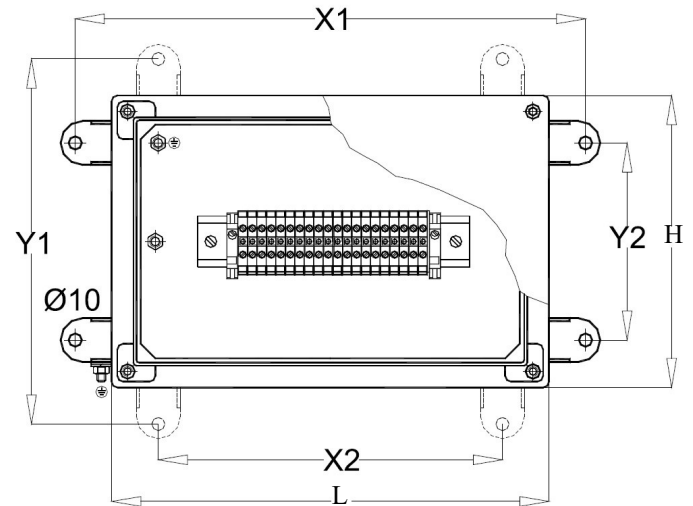
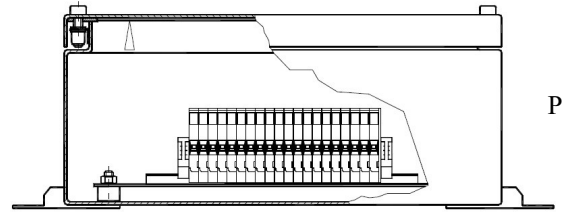
T 130°C

IP66



CASSETTE SICUREZZA INTRINSECA / SICUREZZA AUMENTATA JBOX INTRINSICALLY SECURITY / INCREASED SAFETY Ex ia IIC / Ex e IIC

Caratteristiche:	Custodia con guarnizione in silicone e viti di acciaio inox
Features:	Enclosure with silicon gasket and stainless steel screws
Materiali:	Acciaio inox AISI304 o 316
Materials:	Stainless steel AISI304 or 316



Tipo / Type	Dimensioni contenitori ESTERNE Boxes size EXTERNAL			Dimensioni passaggio utile INTERNO Box size useful INTERNAL		Staffe Fissaggio Fixing Lung			
	L	H	P			X1	Y1	X2	Y2
GWY1010	90	90	90	70	70	140	140	40	40
GWY1111	110	110	90/100	90	90	160	160	60	60
GWY1111	120	120	100	100	100	170	170	70	70
GWY1414	140	140	90/100	120	120	190	190	90	90
GWY1616	160	160	100	140	140	210	210	110	110
GWY2020	200	200	100	180	180	250	250	150	150
GWY2516	250	160	100	230	140	300	210	150	110
GWY2520	250	200	120	230	180	300	250	150	150
GWY2525	250	250	120	230	230	300	300	200	200
GWY3020	300	200	120	280	180	350	250	250	150
GWY3030	300	300	120/180	280	280	350	350	250	250
GWY3535	350	350	120/180	330	330	400	400	300	300
GWY4020	400	200	120/180	380	180	450	250	350	150
GWY4030	400	300	120/180	380	280	450	350	350	250
GWY4040	400	400	120/180	380	380	450	450	350	350
GWY4836	480	360	130/180	460	340	530	410	430	310
GWY5040	500	400	160/300	480	380	550	450	450	350

Tipo / Type	Dimensioni contenitori ESTERNE Boxes size EXTERNAL			Dimensioni passaggio utile INTERNO Box size useful INTERNAL		Staffe Fissaggio Fixing Lung			
	L	H	P			X1	Y1	X2	Y2
GWY5050	500	500	160/300	480	480	550	550	450	450
GWY6045	600	500	160/300	580	480	650	550	550	450
GWY6232	620	320	160/300	600	300	670	370	570	270
GWY7236	720	360	160/300	700	340	770	410	670	310
GWY7550	750	500	160/300	730	480	800	550	700	450
GWY7560	750	600	160/300	730	580	800	650	700	550
GWY10050	1000	500	160/300	980	480	1050	550	950	450
GWY10065	1000	650	160/300	980	630	1050	700	950	600
GWY10075	1000	750	160/300	980	730	1050	800	950	700



Flangie
Acciaio Inox
Stainless Steel
Inlet plates



Tettuccio
Acciaio Inox
Stainless Steel
Rain canopy



Cerniere
Giunti chiusura
Acciaio inox
Hinges Fixed Joint
Stainless steel



Guarnizione
SILICON
SILICON
gasket

Dimensioni ESTERNO Boxes size EXTERNAL				FLANGIA LATO LUNGO (L) LONG SIDE FLANGE (L)			FLANGIA LATO CORTO (H) SHORT SIDE FLANGE (H)			COPERCHIO CON CERNIERE (Y...) ENCLOSURE WITH HINGES (Y...) COPERCHIO AVVITATO (N) ENCLOSURE WITH LID (N)		Dimensioni passaggio utile INTERNO Box size useful INTERNAL		Staffe Fissaggio Fixing Lung				
Tipo / Type	L	H	P											X1	Y1	X2	Y2	
GWY1010	90	90	90	L0	-	-	H0	-	-	-	N	70	70	140	140	40	40	
GWY1111	110	110	90/100	L0	-	-	H0	-	-	-	N	90	90	160	160	60	60	
GWY1111	120	120	100	L0	-	-	H0	-	-	-	N	100	100	170	170	70	70	
GWY1414	140	140	90/100	L0	-	-	H0	-	-	-	N	120	120	190	190	90	90	
GWY1616	160	160	110	L0	-	-	H0	-	-	Y	N	140	140	210	210	110	110	
GWY2020	200	200	110	L0	L1	L2	H0	H1	H2	Y	N	180	180	250	250	150	150	
GWY2520	250	200	130	L0	L1	L2	H0	H1	H2	Y	N	230	180	300	250	150	150	
GWY2525	250	250	130	L0	L1	L2	H0	H1	H2	Y	N	230	230	300	300	200	200	
GWY3020	300	200	130	L0	L1	L2	H0	H1	H2	Y	N	280	180	350	250	250	150	
GWY3030	300	300	130/180	L0	L1	L2	H0	H1	H2	Y	N	280	280	350	350	250	250	
GWY3535	350	350	130/180	L0	L1	L2	H0	H1	H2	Y	N	330	330	400	400	300	300	
GWY4020	400	200	130/180	L0	L1	L2	H0	H1	H2	Y	N	380	180	450	250	350	150	
GWY4030	400	300	130/180	L0	L1	L2	H0	H1	H2	Y	N	380	280	450	350	350	250	
GWY4040	400	400	130/180	L0	L1	L2	H0	H1	H2	Y	N	380	380	450	450	350	350	
GWY4836	480	360	130/180	L0	L1	L2	H0	H1	H2	Y	N	460	340	530	410	430	310	
GWY5040	500	400	160/300	L0	L1	L2	H0	H1	H2	Y	N	480	380	550	450	450	350	
GWY5050	500	500	160/300	L0	L1	L2	H0	H1	H2	Y	N	480	480	550	550	450	450	
GWY6050	600	500	160/300	L0	L1	L2	H0	H1	H2	Y	N	580	480	650	550	550	450	
GWY6232	620	320	160/300	L0	L1	L2	H0	H1	H2	Y	N	600	300	670	370	570	270	
GWY7236	720	360	160/300	L0	L1	L2	H0	H1	H2	Y	N	700	340	770	410	670	310	
GWY7550	750	500	160/300	L0	L1	L2	H0	H1	H2	Y	N	730	480	800	550	700	450	
GWY7560	750	600	160/300	L0	L1	L2	H0	H1	H2	Y	N	230	580	800	650	700	550	
GWY10050	1000	500	160/300	L0	L1	L2	H0	H1	H2	Y	N	980	480	1050	550	950	450	
GWY10065	1000	650	160/300	L0	L1	L2	H0	H1	H2	Y	N	980	630	1050	700	950	600	
GWY10075	1000	750	160/300	L0	L1	L2	H0	H1	H2	Y	N	980	730	1050	800	950	700	
ESEMPIO CODICE PER ORDINE EXAMPLE CODE FOR ORDER																		
GWY5050			160	L2			L0			YL								

ALTEZZA CASSETTA (P) JBOX HEIGHT (P)	N°	FLANGIA ASPORTABILE LATO LUNGO (L) LONG SIDE REMOVABLE FLANGE (L)	N°	FLANGIA ASPORTABILE LATO CORTO (H) SHORT SIDE REMOVABLE FLANGE (H)	N°	COPERCHIO CON CERNIERE ENCLOSURE WITH HINGES COPERCHIO AVVITATO ENCLOSURE WITH LID
90 to 300 in base alla cassetta According to the jbox	L0	Senza flange Without flange	H0	Senza flange Without flange	N	COPERCHIO AVVITATO (N) ENCLOSURE WITH LID (N)
Other height on request Altre altezze a richiesta	L1	Una flangia One flange	H1	Una flangia One flange	YL	COPERCHIO CON CERNIERE LATO LUNGO ENCLOSURE WITH HINGES LONG SIDE
	L2	Due flange Two flanges	H2	Due flange Two flanges	YH	COPERCHIO CON CERNIERE LATO CORTO ENCLOSURE WITH HINGES SHORT SIDE

Tipo Type	FORATURE CORPO CASSETTA - HOLE BODY JBOX																			
	Side - lato L										Side - lato H									
	MASSIMA QUANTITA FORI PER LATO MAX QTY HOLE FOR SIDE										MASSIMA QUANTITA FORI PER LATO MAX QTY HOLE FOR SIDE									
	M12	M16 3/8"	M20 1/2"	M25 3/4"	M32 1"	M40 1 1/4"	M50 1 1/2"	M63 2"	M75 2 1/2"	M85 3"	M12	M16 3/8"	M20 1/2"	M25 3/4"	M32 1"	M40 1 1/4"	M50 1 1/2"	M63 2"	M75 2 1/2"	M85 3"
GWY1010			1	1	1															
GWY1111																				
GWY1414			3	3	2															
GWY1616			3	3	2	2	2	1												
GWY2020			4	4	3	2	2	2												
GWY2520			10	10	8	3	3	2	2				8	8	4	2	2	2	1	
GWY2525			10	10	8	3	3	2	2											
GWY3020			12	12	10	4	4	3	2				8	8	4	2	2	2	1	
GWY3030			12	12	10	4	4	3	2											
GWY4020			16	16	12	5	5	4	3				8	8	4	2	2	2	1	
GWY4030			16	16	12	5	5	4	3				12	12	10	4	4	3	2	
GWY4040			16	16	12	5	5	4	3											
GWY4836			40	40	25	12	12	6	4				16	16	12	5	5	4	3	
GWY5040			40	40	25	12	12	6	4				16	16	12	5	5	4	3	
GWY5050			40	40	25	12	12	6	4											
GWY6045			48	48	30	16	16	12	4	3			40	40	25	12	12	6	4	
GWY6232			55	55	35	20	20	15	6	4			15	15	12	5	5	3	3	
GWY7236			60	60	36	20	20	16	5	4			16	16	12	5	5	4	3	
GWY7550			60	60	36	20	20	16	5	4			40	40	25	12	12	6	4	
GWY7560			60	60	36	20	20	16	5	4			48	48	30	16	16	12	4	3
GWY10050			100	100	64	42	42	20	14	6			40	40	25	12	12	6	4	
GWY10065			100	100	64	42	42	20	14	6			55	55	35	20	20	15	6	4
GWY10075			100	100	64	42	42	20	14	6			60	60	36	20	20	16	5	4