

EVA...C/FLASH 21J
EVC...C/FLASH 21J

zone 1

zone 2

Ex db IIC Gb Ex tb IIIC Db II2GD

T6
T 85°C

-20°C

zone 21

zone 22

DIRECTIVE 2014/34/UE

+60°C

LIGHTING FIXTURE **XENON 21J**
EVA100C/200C - EVC100C/200C

SEGNALATORE LUMINOSO **XENON 21J**
EVA100C/200C - EVC100C/200C

IP66



Caratteristiche:	Segnalatore luminoso con lampada XENON 21J ad elevato rendimento, sono idonee per la segnalazione ostacoli per camini, ciminiere, fiaccole, campanili, palazzi, gru, ponti, torri radiotelevisive, piloni di teleferiche e linee elettriche, generatori eolici, antenne radar e telecomunicazioni e, nello specifico, per il mondo dell'industria petrolchimica e petrolifera. Certificata INERIS, bassi consumi e durata illimitata. Guarnizione O-RING in silicone per protezione meccanica IP66. Connessione Direttamente al portalamпада L, N, Pe. Sez. max. 4mm2.
Features:	Lighting fixtures with long-life XENON 21J , are ideal for chimneys, towers, smokestacks, bell towers, buildings, cranes, bridges, radio/television masts, cable car and power line pylons, wind turbines, radar and telecommunication antennas and specifically for use in the petrochemical and oil industries. INERIS certificate, low consumption and high performance. Silicone O-RING gasket for protection IP66. Connection Direct to lamp holder L, N, Pe. Max section 4mm2.
Materiali:	Lega di alluminio a basso contenuto di rame, viteria in acciaio inox, Vetro borosilicato resistente agli urti ed alle alte temperature sigillato nella ghiera in alluminio, gabbia in acciaio inox.
Materials:	Low copper content aluminium alloy, stainless steel hardware, Shock and temperature resistant borosilicate glass sealed with aluminium shade ring, stainless steel guard.



EVC100C - EVC200C

Intensità luminosa
Effective Intensity
21J 350Cd



EVA100C - EVA200C

	EVA100C - EVC100C - EVA200C - EVC200C					
Tensione / Voltage	12-24 VAC/VDC	48 VAC	48 VDC	110 VAC	110 VDC	230 VAC
Corrente / Rated current	~450mA		~100mA		~45mA	
Frequenza / Frequency	40/60HZ					
Assorbimento medio / Power middle	~11W					
Lamp power / Effective Intensity	21J 350Cd					
Flash-minuto / Flash-minut	30 or 60 (other to be defined)					
Servizio / Service	Continuo / Continuous					
Colore corpo / Color body	RED RAL 3000 / Other color on request					
Imbocchi / Cable entries	EVA100C/200C 1 x 3/4" - EVC100C/200C 4 x 3/4"					

CODICE ORDINE - CODE ORDER

	TIPO LAMPADA TYPE LAMP	TENSIONE VOLTAGE	COLORE GEMME COLORE SIGNALING LAMP
EV ... 100C-21J	(A) EVA	12VAC/DC or 24VAC/DC	(R) Red - (Y) yellow
EV ... 200C-21J	(C) EVC	48VAC or 48VDC 110VAC or 110VDC 230VAC	(A) orange - (G) green (BL) blue - (W) white

EXAMPLE / ESEMPIO
EVA100C-21J-24VDC-R
EVA100C-21J VOLTAGE 24VDC COLOR LAMP RED
EVA100C-21J TENSIONE 24VDC COLORE GEMMA ROSSA



EVA...C/FLASH 16J
EVC...C/FLASH 16J

zone 1

zone 2

Ex db IIC Gb Ex tb IIIC Db II2GD

T6
T 85°C

-20°C

zone 21

zone 22

DIRECTIVE 2014/34/UE

+60°C

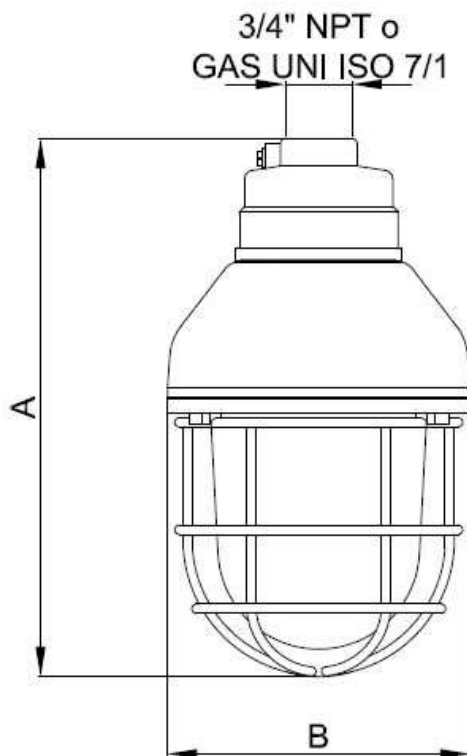
LIGHTING FIXTURE **XENON 16J**
 EVA100C/200C - EVC100C/200C

SEGNALATORE LUMINOSO **XENON 16J**
 EVA100C/200C - EVC100C/200C

IP66

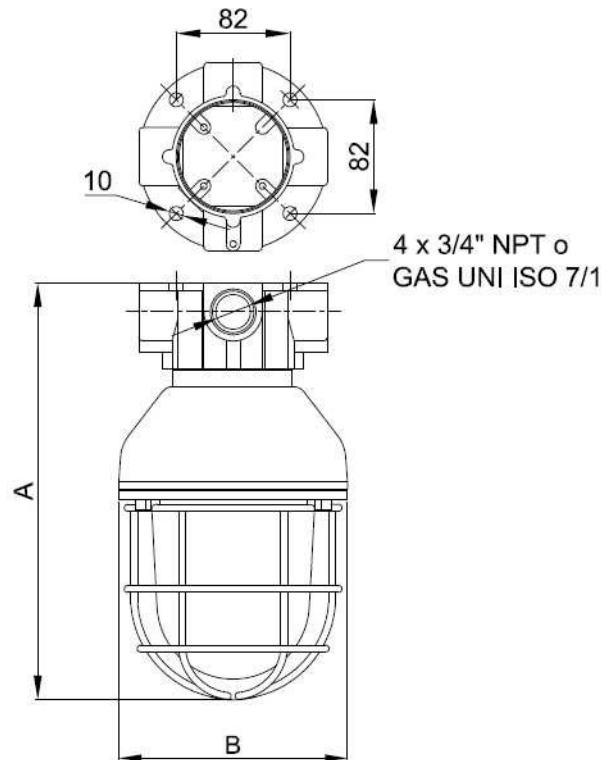


EVA100C/EVA200C



SERIE SERIES	DIMENSIONI mm DIMENSIONS mm	
	A	B
EVA100C	325	170
EVA200C	354	200

EVC100C/EVC200C



SERIE SERIES	DIMENSIONI mm DIMENSIONS mm	
	A	B
EVC100C	325	170
EVC200C	352	200

