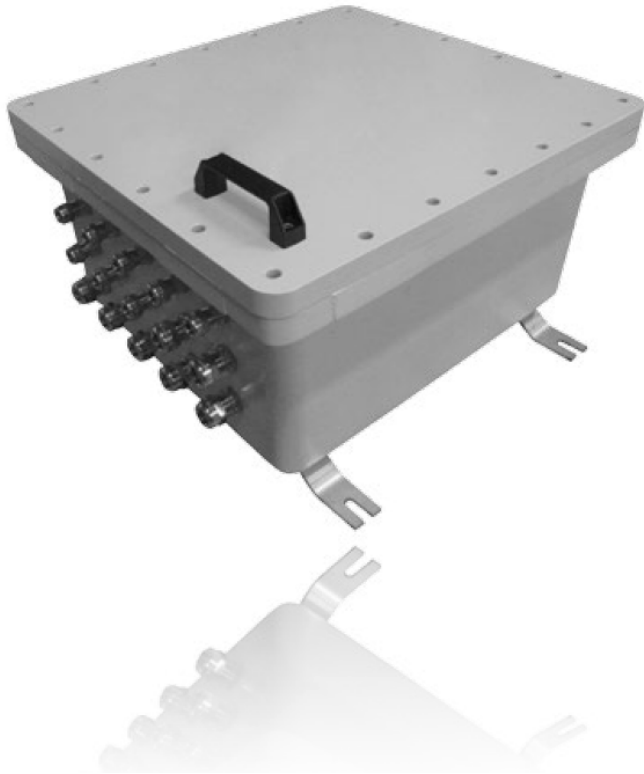
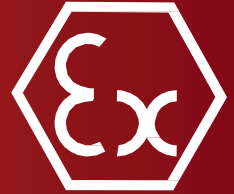
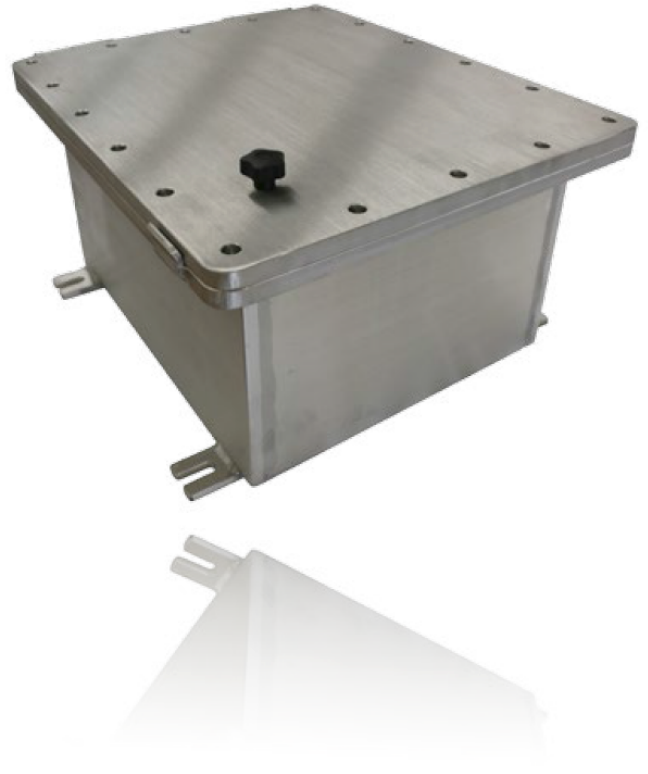


EJB-Series

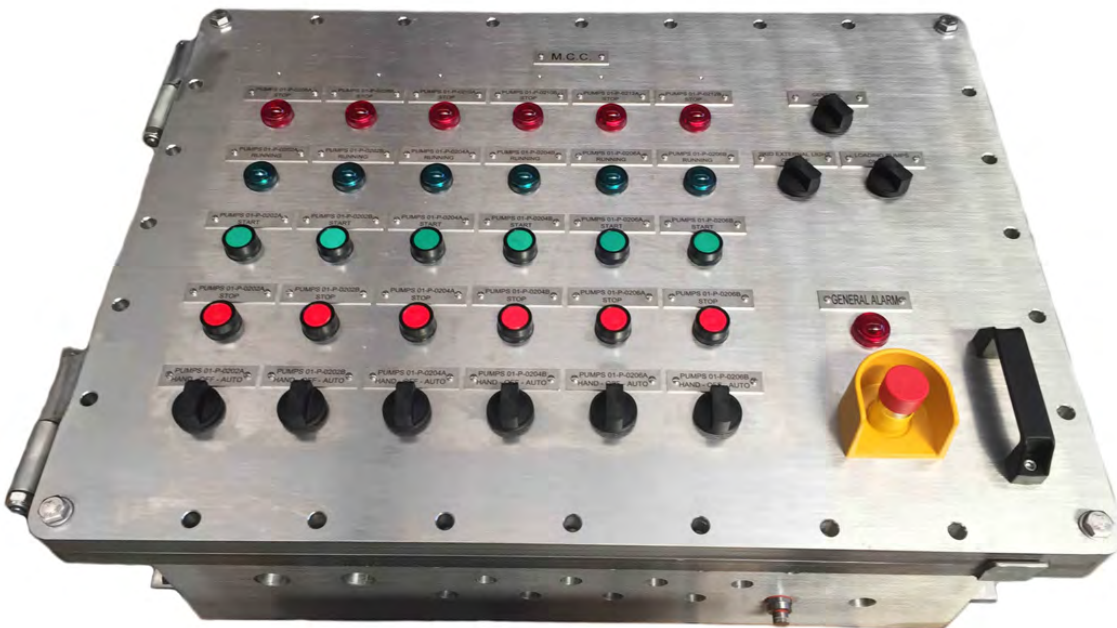
Explosion Proof Exd enclosures



ALLUMINIO JBOX
ALUMINIUM ENCLOSURES

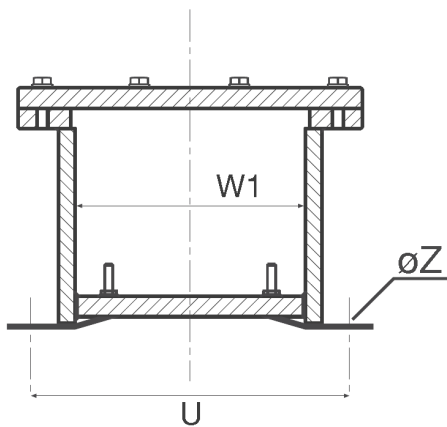


AISI 316L - ACCIAIO JBOX
STAINLESS STEEL - CARBON STEEL ENCLOSURES

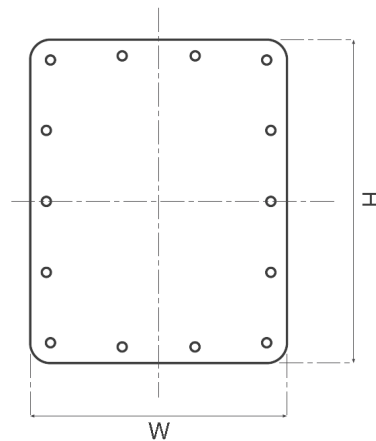


**AISI 316L - ACCIAIO JBOX
STAINLESS STEEL - CARBON STEEL ENCLOSURES**

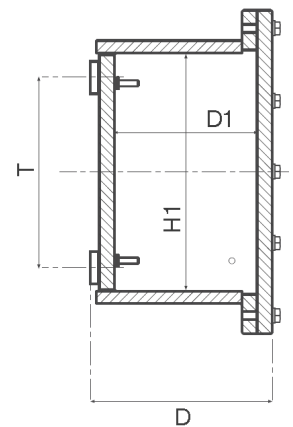
BOTTOM VIEW



FRONT VIEW

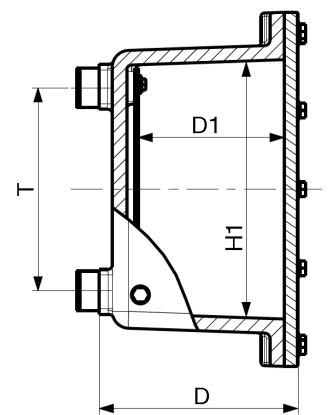
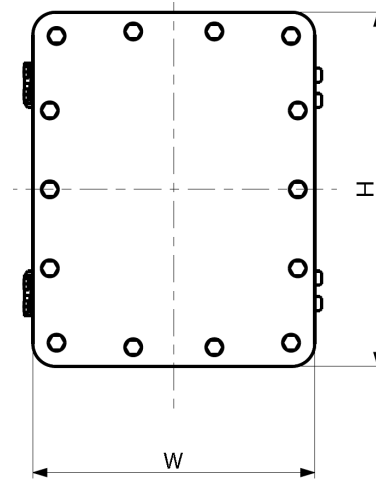
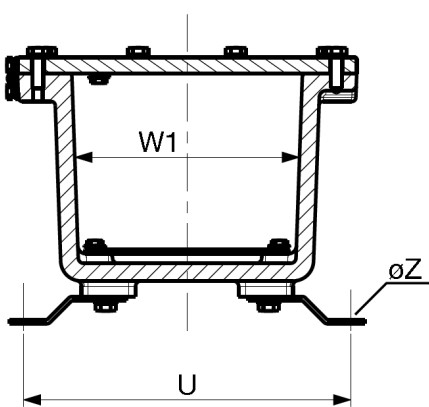


SIDE VIEW



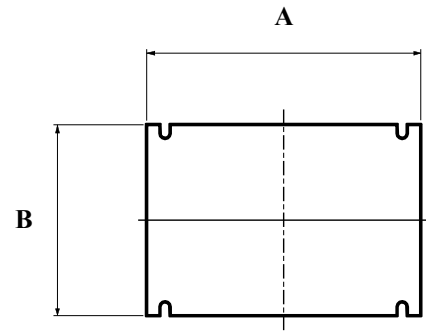
**ALLUMINIO JBOX
ALUMINIUM ENCLOSURES**

BOTTOM VIEW



Aluminium, general specification

TYPE	External Dimensions			Internal Dimensions			Internal Plate		Fixing Holes		Weight	Feet Fixing Bolts
	Height (H)	Width (W)	Depth (D)	Height (H1)	Width (W1)	Depth (D1)	A	B	T	U	kg	ØZ
EJB-A	315	250	175	230	165	130	215	150	180	241	11	M8
EJB-B	425	245	230	345	170	185	321	150	290	249	16	M8
EJB-C	490	415	260	385	310	200	335	275	336	414	36	M8
EJB-D	530	495	260	425	390	200	394	358	360	480	44	M8
EJB-E	595	540	315	480	430	235	446	391	400	559	80	M10
EJB-F	835	445	315	720	340	235	670	294	630	449	93	M10
EJB-G	835	610	315	720	500	235	670	450	630	604	123	M10
EJB-H	835	610	410	720	500	330	670	450	630	604	134	M10



All dimensions are in mm.

Dimensions and weights are approximate and subject to change without notice.

Stainless steel 316L - Carbon Steel, general specification

TYPE *	External Dimensions			Internal Dimensions			Internal Plate		Fixing Holes		Weight	Feet Fixing Bolts
	Height (H)	Width (W)	Depth (D)	Height (H1)	Width (W1)	Depth (D1)	A	B	T	U	kg	ØZ
EJBS-A	320	255	182	235	170	140	225	160	175	258	32	M10
EJBS-B	430	255	240	345	170	195	335	160	285	258	42	M10
EJBS-C	490	415	260	390	315	215	380	305	330	403	80	M10
EJBS-D	535	495	260	430	390	215	420	380	370	478	99	M10
EJBS-E	600	545	275	485	430	220	475	420	405	538	144	M16
EJBS-F	845	460	320	725	340	265	715	330	605	450	180	M16
EJBS-G	835	615	315	725	505	263	715	495	605	616	281	M16
EJBS-H	835	615	410	725	505	358	715	495	605	616	309	M16



All dimensions are in mm.

Dimensions and weights are approximate and subject to change without notice.

Technical specifications

ATEX: INERIS16ATEX0005X

Material: Aluminium Alloy: copper free (<0,1%), Stainless Steel 316L or Carbon Steel

IP rating: IP66

Zones: 1,2,21 and 22

temperature: -50°C to +60°C

Applied standards: EN-IEC 60079-0, EN-IEC 60079-1, EN-IEC 60079-11, EN-IEC 60079-31

Ex code: Ex d IIB+H2 T6Gb, Ex d IIB T5 Gb, Ex d IIB T4 Gb

Ex tb IIIC T85°C Db IP66, Ex tb IIIC T100°C Db IP66, Ex tb IIIC T135°C Db IP66

Ex d [ia Ga] IIB+H2 T6 Gb

Ex tb [ia Da] IIIC T85°C Db IP66

Ex d IIB+H2 Gb

Ex tb IIIC Db IP66

Ex d I M2 I Mb

Exd d IM2 [ia Ma] I Mb or Ex d [ib] I Mb

Threaded entries: Metric thread 1.5, ANSI B1.20.1 NPT

Paint: Stainless steel - Carbon Steel: Natural (other colors are optional)
Aluminium: Standard RAL7040 polyurethane (other colors are optional)



Via dell'Informatica 22 - 20083 Gaggiano (MI) ITALY
Tel:+39-029081760 Fax:+39-029081791
Email: kromamec@kromamec.it Web Site: www.kromamec.it

Tables

NUMBER OF THREADED HOLES AND OPERATORS ON FRONT

EJB Type		A	B	C	D	E	F	G	H
Nr. of threaded holes and operators (M32 and M25) - with windows	min	-	4	8	12	18	35	56	56
	max	-	6	12	18	24	40	64	64
Nr. of threaded holes and operators (M32 and M25) - without windows		4	10	24	36	42	55	88	88

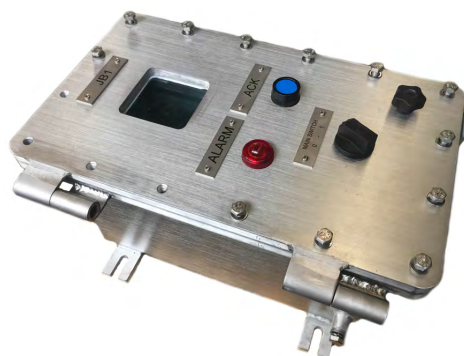
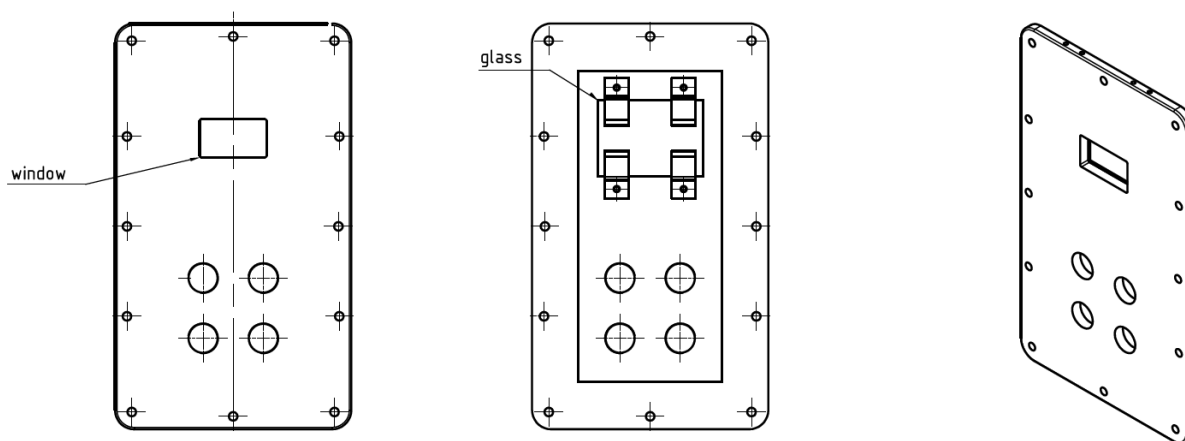
NUMBER OF CABLE ENTRIES ON LONG/SHORT SIDE FOR EACH EJB

ENTRY	BOX TYPE							
	A	B	C	D	E	F	G	H
M20 / 1/2"	8/6	12/6	20/16	24/22	30/24	55/26	55/32	60/38
M25 / 3/4"	8/4	8/4	12/9	22/16	25/20	38/18	40/22	44/24
M32 / 1"	3/3	3/2	10/8	11/9	13/11	30/15	34/18	36/20
M50 / 1.1/2"	2/1	2/1	4/3	8/8	8/8	14/6	16/12	17/13
M63 / 2"	1/1	2/1	3/2	3/3	4/4	10/4	11/5	12/6
M75 / 2.1/2"			2/2	2/2	3/2	4/2	6/4	6/4
M80 / 3"				1/1	2/2	3/1	5/3	5/3

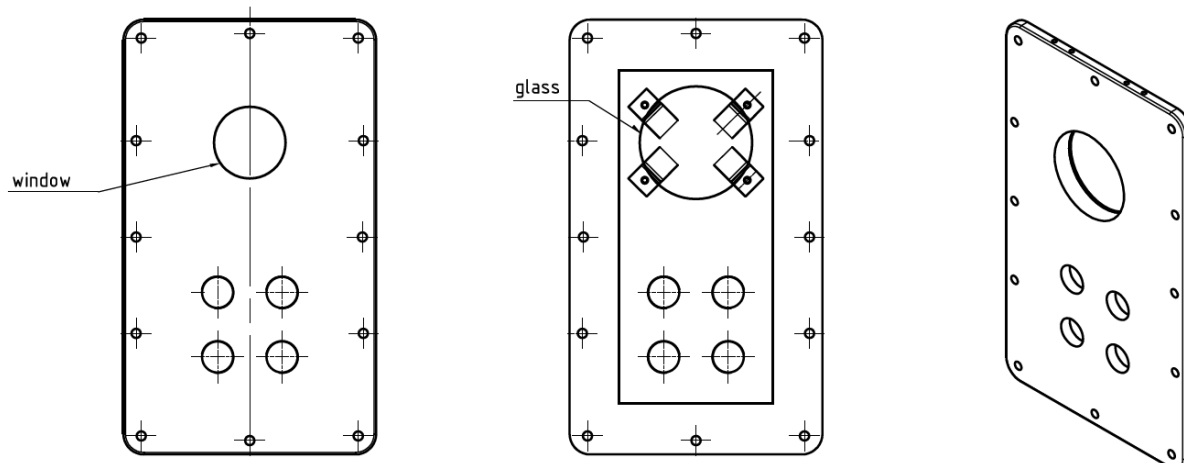


Compatible WINDOWS

Window type	Glass dimensions	EJB-A EJBS-A	EJB-B EJBS-B	EJB-C EJBS-C	EJB-D EJBS-D	EJB-E EJBS-E	EJB-F EJBS-F	EJB-G EJBS-G	EJB-H EJBS-H
P = 80x80	120x120	-	X	X	X	X	X	X	X
Q = 120x120	160x160	-	-	X	X	X	X	X	X
R = 160x160	200x200	-	-	-	X	X	X	X	X
S = 40x70	80x110	-	X	X	X	X	X	X	X
T = 40x200	80x240	-	-	X	X	X	X	X	X
U = 100x270	140x310	-	-	-	-	X	X	X	X



Window type	Glass dimensions	EJB-A EJBS-A	EJB-B EJBS-B	EJB-C EJBS-C	EJB-D EJBS-D	EJB-E EJBS-E	EJB-F EJBS-F	EJB-G EJBS-G	EJB-H EJBS-H
V = Ø 120	Ø 160	-	-	X	X	X	X	X	X
W = Ø 160	Ø 200	-	-	-	X	X	X	X	X
X = Ø 180	Ø 220	-	-	-	-	X	X	X	X



EJB... SERIES - OPERATORS

CODE	DESCRIPTION
10000	Black button NO contact
10001	Green button NO contact
10002	Red button NC contact
10003	Yellow button NO contact
10057	White button NO contact
10004	White signal lamp
10005	Green signal lamp
10006	Red signal lamp
10007	Yellow signal lamp
10049	Blue signal lamp
10021	Selector switch 0-1, 2 pole 16A handle 55x55
10022	Selector switch 0-1, 3 pole 63A handle 72x72
10023	Selector switch 1-0-2, 2 pole 16A handle 55x55
10024	Selector switch 1-2-3, 2 pole 16A handle 55x55
10025	Selector switch 1-0-2, handle 55x55
10026	Selector switch 1-2-3, handle 55x55
10053	Selector switch 1-2, 3 pole 16A handle 55x55
10047	Selector switch 6 positions 12A, black handle 55x55
10028	Selector switch 0-1, 4 pole 16A handle 55x55
10045	Selector switch 1-2, 2 pole 16A handle 55x55
10048	Selector switch 5 positions 16A, black handle 55x55
10020	Emergency Red button, turn to unlock, 1 NC contact
10027	Handle for internal switch operation handle 55x55
10051	Handle 160mm for internal switch operation
10052	Handle 110mm for internal switch operation
10046	Key selector switch three position 1-0-2, handle 55x55
10056	Key selector switch three position 1-2

For other type of operators, please contact our technical department.
Inox material for operators are available on request.



Emergency Red button



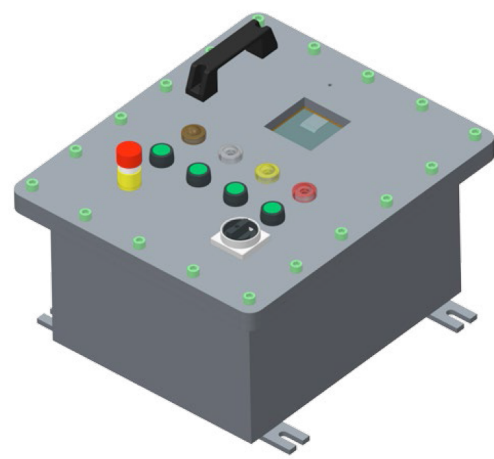
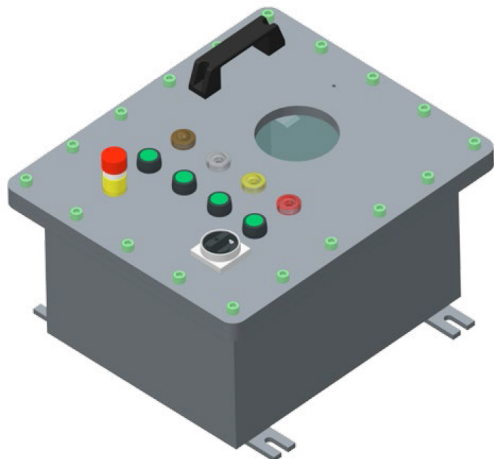
Green button



Orange signal lamp



Selector 0-1





Via dell'Informatica 22 - 20083 Gaggiano (MI) ITALY
Tel:+39-029081760 Fax:+39-029081791
Email: kromamec@kromamec.it Web Site: www.kromamec.it