

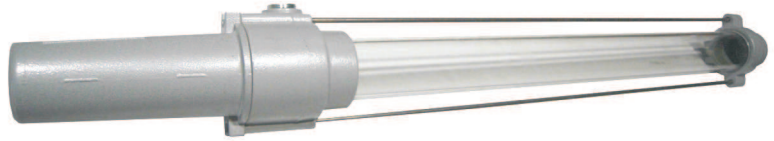
APPARECCHI DI ILLUMINAZIONE A LED
LED LIGHTING EQUIPMENT

APPARECCHI A LED LED LIGHTING FIXTURE

EVFC.. RUNLT



GAS	II2G Ex d IIC T6 ÷ T4	Gb	IP66	Zone 1 - Zone 2 Zone 21 - Zone 22
GAS	II2D Ex tb IIIC T80÷T130°C	Db	IP66	☼-20°C ÷ ☼+40°C ☼-20°C ÷ ☼+60°C



Tubi LED consigliati - LED tube suggested

PHILIPS CORELED TUBE (30.000 h - 230Vac)

Codice / Code	A	B	C	[W]	lumen	weight [kg]
EVFC 1018RUNLT	610	205	573	10	800	
EVFC 21018RUNLT	610	205	573	2x10	800x2	
EVFC 2036RUNLT	1210	205	1173	20	1600	
EVFC 22036RUNLT	1210	205	1173	2x20	1600x2	
EVFC 2558RUNLT	1510	205	1473	25	2000	
EVFC 22558RUNLT	1510	205	1473	2x25	2000x2	

PHILIPS MASTERLED TUBE VALUE GA110 (40.000 h - 110÷240Vac)

Codice / Code	A	B	C	[W]	lumen	weight [kg]
EVFC 1118RUNLT	610	205	573	10	825	
EVFC 21118RUNLT	610	205	573	10x2	825x2	
EVFC 1936RUNLT	1210	205	1173	19	1650	
EVFC 21936RUNLT	1210	205	1173	19x2	1650x2	
EVFC 2458RUNLT	1510	205	1473	24	2065	
EVFC 22458RUNLT	1510	205	1473	24x2	2065x2	

OSRAM SUBSTITUBE ST8-HB.. (40.000 h - 230Vac)

Codice / Code	A	B	C	[W]	lumen	weight [kg]
EVFC 918RUNLT	610	205	573	9	900	
EVFC 2918RUNLT	610	205	573	9x2	900x2	
EVFC 1836RUNLT	1210	205	1173	18	1850	
EVFC 21836RUNLT	1210	205	1173	18x2	1850x2	
EVFC 2258RUNLT	1510	205	1473	22	2200	
EVFC 22258RUNLT	1510	205	1473	22x2	2200x2	

OSRAM SUBSTITUBE ST8-HA.. (40.000 h - 230Vac)

Codice / Code	A	B	C	[W]	lumen	weight [kg]
EVFC 1018RUNLT	610	205	573	10	900	
EVFC 21018RUNLT	610	205	573	10x2	900x2	
EVFC 2036RUNLT	1210	205	1173	20	2200	
EVFC 22036RUNLT	1210	205	1173	20x2	2200x2	
EVFC 3058RUNLT	1510	205	1473	30	3200	
EVFC 23058RUNLT	1510	205	1473	30x2	3200x2	

Materiale : Corpo di lega leggera
Parte trasparente : Vetro Borosilicato
Installazione : Con staffe in acciaio inox
Viti : In acciaio inox
Guarnizioni : Al silicone rosso
Portalampane : Polycarbonato attacco G13
Ingresso : N° 3 ø3/4"

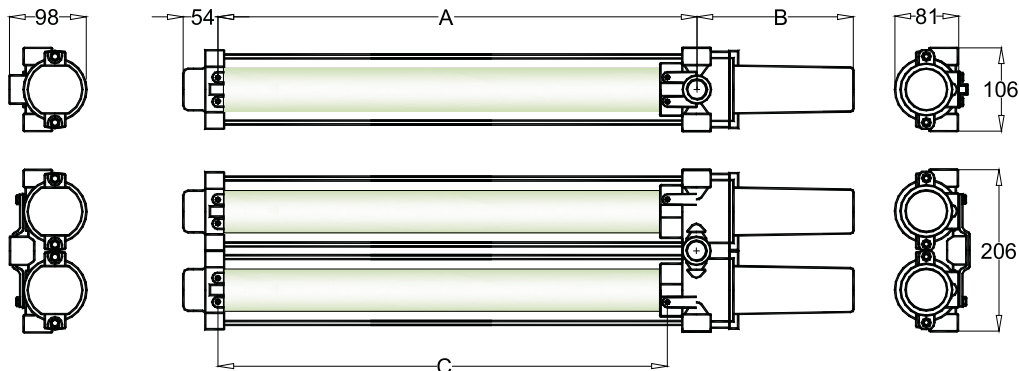
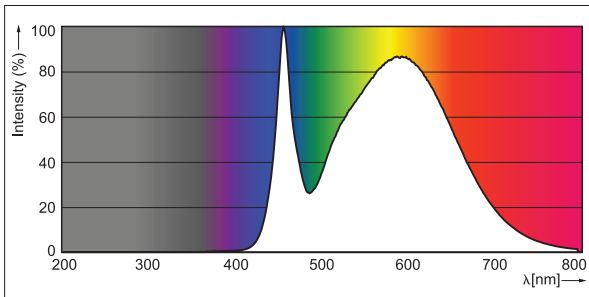
Material : Light alloy body
Transparent part : Borosilicate glass
Installation : Stainless steel lugs
Hardware : Stainless steel
Gaskets : Red silicon
Lampholder : Polycarbonate G13 caps
Cable entry : N° 3 ø3/4"

Durata di vita : 30.000 ÷ 40.000 ore
Prodotto verde : senza mercurio
Prodotto sicuro : isolamento dei connettori
Accensione istantanea : senza sfarfallio o ronzii
Maggiore efficienza ottica : +30%
Risparmio energetico

Lifetime : 30.000 ÷ 40.000 hours
Green product : mercury free
Safe product : Insulation of connectors
Instant start : without flicker or hum
Greater optical efficiency : +30%
Energy saving

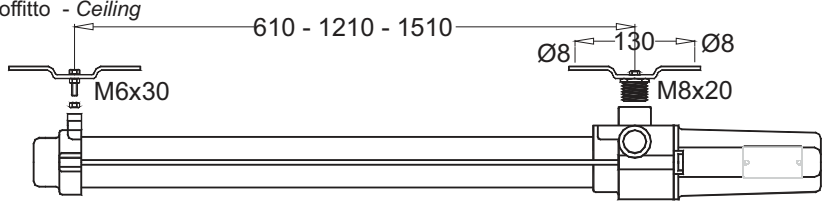
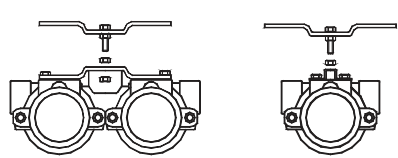
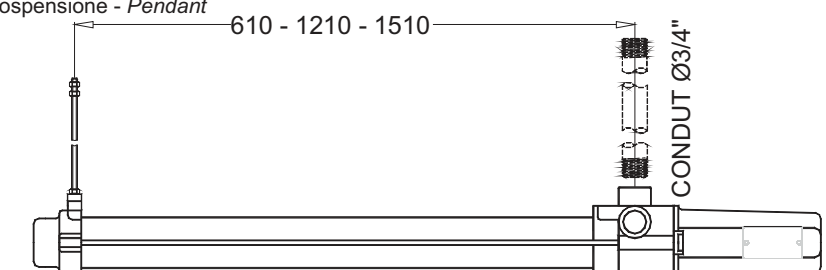
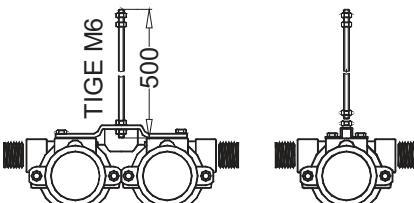
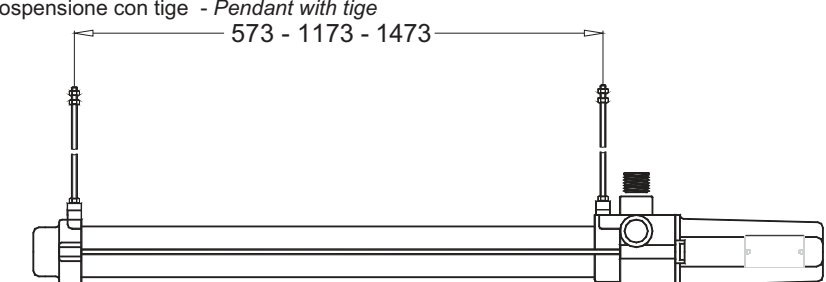
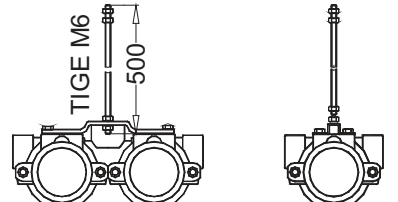
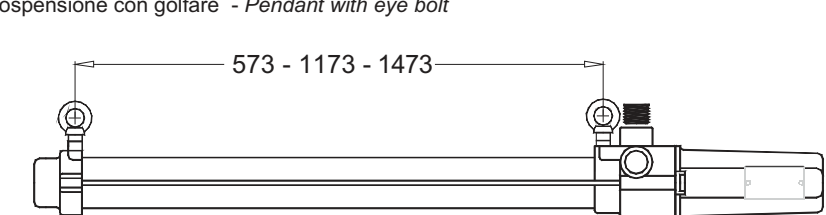

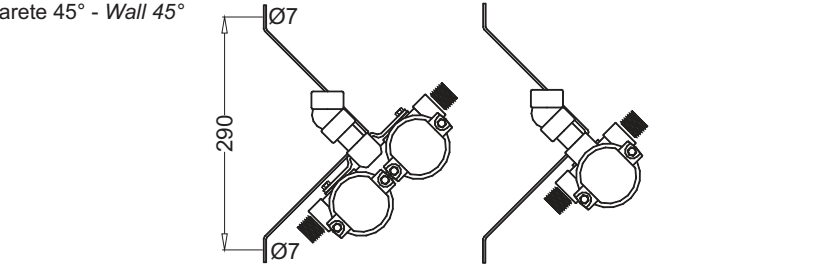
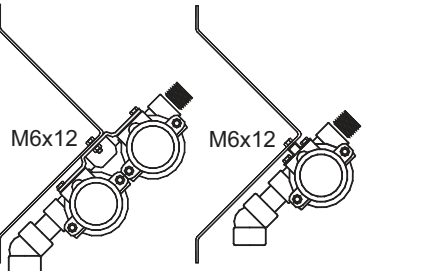
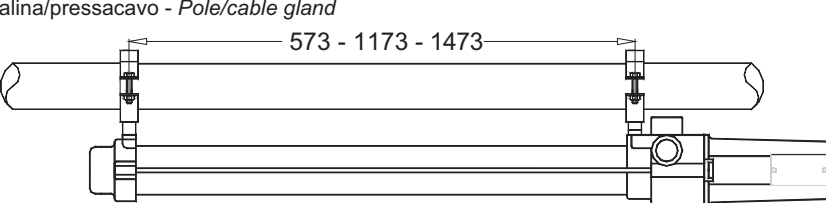
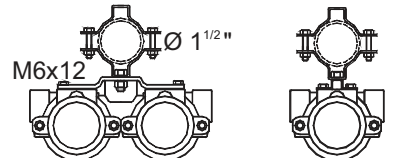
Tensione : 230 [Vac] a richiesta [110Vac]
Portalampane : G13
Fattore di potenza : >0.9
Flusso luminoso : 825 ÷ 3300 [lm]
Temperatura di colore : 4000 [K]
Angolo fascio luminoso : 130°

Voltage : 230 [Vac] on demand [110Vac]
Lampholder : G13
Power factor : >0.9
Luminous flux : 800 ÷ 3200 [lm]
CCT : 4000 [K]
Beam angle : 130°



APPARECCHI A LED LED LIGHTING FIXTURE

EVFC.. RUNLT  

<p>Soffitto - Ceiling</p> 	
<p>Sospensione - Pendant</p> 	
<p>Sospensione con tige - Pendant with tige</p> 	
<p>Sospensione con golfare - Pendant with eye bolt</p> 	
<p>Parete 45° - Wall 45°</p> 	
<p>Palina/pressacavo - Pole/cable gland</p> 	
<p>Palina/conduit - Pole/conduit</p> 