

XF..

XENON LAMP 6J - 16J - 21J

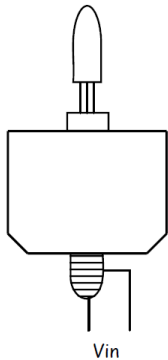
LAMPADE XENON 6J - 16J - 21J



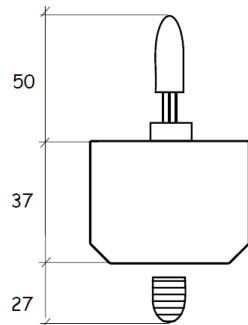
Circuiti elettronici per illuminazione con lampade allo XENON adatte alla segnalazione di vario genere, attacco E27.
LAMPADA STROBOSCOPICA A RISPARMIO ENERGETICO
COMPLETAMENTE RESINATO
DISPONIBILI PER DIVERSE TENSIONI DI UTILIZZO
 (24V, 110V, 127V, 230V, 90-264V)
DISPONIBILE 6J, 16J, 20J
COPERTURE COLORATE (ROSSA,GIALLA,VERDE,BIANCA,BLU)

Electronic circuits for lighting with XENON lamps suitable for various types of signaling E27.
STROBE LIGHT ENERGY SAVING
FULLY RESIN
AVAILABLE FOR USE DIFFERENT VOLTAGE
 (24V, 110V, 127V, 230V, 90-264V)
AVAILABLE 6J, 16J, 20J
COLORED COVERS (RED, YELLOW, GREEN, WHITE, BLUE)

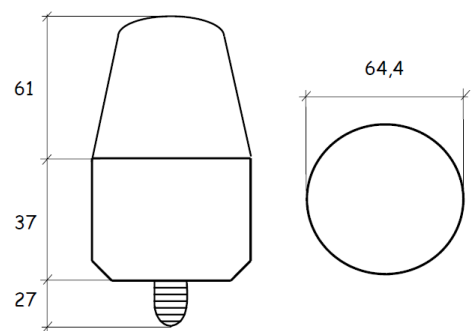
COLLEGAMENTO
CONNECTION



DIMENSIONI (mm)
DIMENSION (mm)



DIMENSIONI con COPERTURA (mm)
DIMENSION with CAP (mm)



CODICE CODE	TENSIONI VOLTAGE	XENON	COLORE COLOR	FUNZIONAMENTO WORKING	WATT
XF..6J..	12VAC/DC 24VAC/DC 48VAC 48VDC 110VAC 110VDC 230VAC	6J	(R) Red (Y) yellow (A) orange (G) green (BL) blue (W) white	luce lampeggiante flashing light	4,5W
XF..16J..	12VAC/DC 24VAC/DC 48VAC 48VDC 110VAC 110VDC 230VAC	16J	(R) Red (Y) yellow (A) orange (G) green (BL) blue (W) white	luce lampeggiante flashing light	10W
XF..21J..	12VAC/DC 24VAC/DC 48VAC 48VDC 110VAC 110VDC 230VAC	21J	(R) Red (Y) yellow (A) orange (G) green (BL) blue (W) white	luce lampeggiante flashing light	11W

ESEMPIO: **XF230VAC6JR:** LAMPADA XENON TENSIONE 230VAC 6J COLORE COPERTURA ROSSA
 EXAMPLE: **XF230VAC6JR:** XENON LAMP VOLTAGE 230VAC 6J COLORED COVER RED